

GSW1

Simple Universal GSM controller



INSTALLATION MANUAL

Version: GSW1-Installation-Manual_V3_0-25042016.docx

Valid from SW release: GSW_EF_PCK_20160321_v_4_0_0.hex

Contents

1	FOR YOUR SAFETY	4
2	INTRODUCTION	4
3	FEATURES AND APPLICATIONS	4
4	START UP	5
5	LED DISPLAY	5
6	CLEAR ALL PROGRAMMED DATA FROM SIM	6
7	CONNECTION DIAGRAM	6
8	PROGRAMMING GSW1	7
9	THE GSW1 PARAMETERS	7
9.1	ALARM SUPPORT	7
9.2	OUTPUT MANAGEMENT	10
9.3	SECURITY LEVEL - SL.....	11
9.4	PREPAID CARD CREDIT AND VALIDITY INFORMATION.....	12
9.5	SET-UP PARAMETERS	13
9.6	SMS MESSAGES EDITOR	15
9.7	CLIP.....	16
9.8	SPECIAL SMS COMMANDS	18
10	PRINT-OUT OF THE PARAMETERS	19
10.1	RECEIVE ALL PARAMETERS (PALL)	19
10.2	CHECK SW REVISION (PSW).....	19
10.3	CHECK SIGNAL QUALITY (PSQ)	19
10.4	RECEIVE TELEPHONE NUMBERS (PTN).....	19
10.5	RECEIVE LINKS (PLN).....	19
10.6	RECEIVE INPUT PARAMETERS (PIN).....	19
10.7	RECEIVE INPUT FILTER VALUE (PID)	19
10.8	RECEIVE OUTPUT FILTER VALUE (POD).....	20
10.9	RECEIVE DELAY BEFORE DIAL VALUE (PDD).....	20
10.10	RECEIVE ACCESS TELEPHONE NUMBERS (PSL).....	20
10.11	RECEIVE OUTPUT PARAMETERS (POS)	20
10.12	RECEIVE ALL PROGRAMMED SMS MESSAGES (P#)	20
10.13	RECEIVE SET UP PARAMETERS VALUE (PPA)	20
10.14	RECEIVE CREDIT PARS PARAMETERS (PCREF).....	20
10.15	RECEIVE CREDIT CHECK TELEPHONE NUMBERS (PCN).....	20
10.16	RECEIVE ALL CLIP PARAMETERS (PCLP)	21
10.17	STATE OF THE CREDIT FOR THE PREPAID CARD	21
10.18	STATE OF THE OUTPUTS (PORC).....	21
10.19	MANUAL GSM MODULE RESTART (MRES).....	21
10.20	RECEIVE STATUS OF INPUTS (INS)	21
10.21	RECEIVE GSW1 LOG	21
11	CHANGING PARAMETERS USING THE SMS COMMAND	22

12	DEFAULT SETTINGS ON GSW1.....	23
13	PARAMETERS PRINT-OUT COMMANDS	24
14	TECHNICAL SPECIFICATIONS.....	25
15	CONTACTS	25

Figures

Figure 1: GSW1 Connection diagram.....	6
Figure 2: Input Connection diagram	8
Figure 3: Output Connection diagram	10

Tables

Table 1: IN, ID and DD parameters	8
Table 2: IN, ID and DD parameters example	8
Table 3: Remote alarm reporting parameters.....	9
Table 4: Remote alarm reporting parameters example	9
Table 5: Output management parameters	10
Table 6: Output management parameters example.....	11
Table 7: SL parameter.....	11
Table 8: SL parameter example	11
Table 9: Prepaid card validity parameters.....	13
Table 10: Prepaid card validity parameters example	13
Table 11: Set-up parameters	15
Table 12: Set-up parameters example	15
Table 13: Message parameters.....	16
Table 14: Message parameters example	16
Table 15: CLIP parameters	17
Table 16: CLIP parameters example.....	17
Table 17: LOG parameters.....	17
Table 18: LOG parameters example	17
Table 19: SMS commands.....	18
Table 20: SMS commands example.....	18
Table 21 GSW1 default settings	24
Table 22 GSW1 parameters print out commands	24

1 FOR YOUR SAFETY

Read these simple guidelines. Not following them may be dangerous or illegal. Read the complete user guide for further information.

SWITCH ON SAFELY

Do not switch the unit on when use of wireless phone is prohibited or when it may cause interference or danger.

INTERFERENCE

All wireless phones and units may be susceptible to interference, which could affect performance.

SWITCH OFF IN HOSPITALS

Follow any restrictions. Switch the unit off near medical equipment.

SWITCH OFF IN AIRCRAFT

Follow any restrictions. Wireless devices can cause interference in aircraft.

SWITCH OFF WHEN REFUELING

Do not use the unit at a refueling point. Do not use near fuel or chemicals.

SWITCH OFF NEAR BLASTING

Follow any restrictions. Do not use the unit where blasting is in progress.

USE SENSIBLY

Use only in the normal position as explained in the product documentation. Do not touch the antenna unnecessarily.

2 INTRODUCTION

GSW1 is a universal remote controller based on GSM technology. It is designed as unlimited range, wire free, low cost, and highly robust remote control system.

As all other devices from portfolio GSW1 supports alarm detection, stay-alive messages, credit checking etc...

3 FEATURES AND APPLICATIONS

Features:

- ⇒ Built-in 4 band GSM module
- ⇒ 1 alarm input
- ⇒ 1 output (relay supported)
- ⇒ Up to 100 telephone numbers for Caller ID (CLIP) support
- ⇒ Programming with PC via “USB to Mini USB cable” connected to the GSW1
- ⇒ Programming by SMS commands
- ⇒ Anti-tampering input

Applications:

- ⇒ Free of charge remote control (CLIP)
- ⇒ Simple alarm support

4 START UP

**VERY
IMPORTANT**

USE A **MICRO SIM CARD** (micro-SIM, see the picture→)
WITH MEMORY FOR UP TO 250 CONTACTS!



⇒ Insert SIM card to be used for GSW1 in your personal mobile phone.

IMPORTANT

ERASE THE PIN CODE!

- ⇒ Insert SIM card in GSW1 device. The unit must be switched OFF when you insert the SIM!
- ⇒ Connect inputs and outputs to GSW1.
- ⇒ Connect the antenna to antenna connector.
- ⇒ Connect power cable to GSW1 device
- ⇒ Connect device to source power supply voltage.
- ⇒ Wait until LED1 (Green) starts flashing. This is set in around 30 to 45 seconds.
- ⇒ GSW1 unit is now ready to operate.

IMPORTANT

Before sending any SMS commands to GSW1 device, the device must be powered ON and in normal operation mode!

5 LED DISPLAY

Green LED (LED1)

- Indicates the level of the GSM signal from 1 to 5 LED flashes (1 is weak signal, 5 is excellent signal)

Yellow LED (LED2)

- Short flashing indicates that the GSM module is ON, but it is not yet connected on the GSM network. After connection, yellow led is flashing with short pulse (0,5s) ON and a long pulse OFF(5s).

6 CLEAR ALL PROGRAMMED DATA FROM SIM

This is highly recommended when a SIM card you are going to use for the GSW1 is not new and it already has some data stored in the phone book memory.

By sending this SMS to GSW1 all programmed parameters and numbers are cleared:
;SDCLR;

After the command is received by the device all configuration parameters on the SIM card including the SMS are deleted. The procedure can take up-to 2 minutes, depends on the version of the SIM card.

The GSW1 will restart after the configuration is deleted.

NOTE

By sending this command to the GSW1 ALL DATA are erased from the SIM card, including SMS!

7 CONNECTION DIAGRAM

Before connection the GSW1 please take a look at connection diagram.

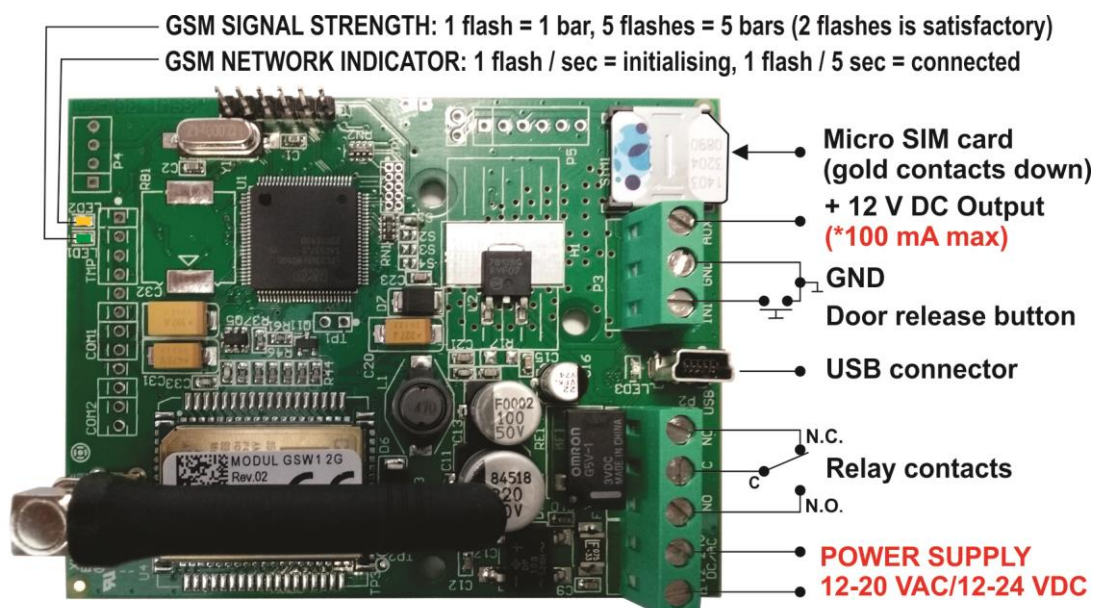


Figure 1: GSW1 Connection diagram

****Do not use the 12V AUX power output for electric lock driving! You can use it to power external sensors: Short-term current load (up to 1 minute) - up to 500mA; Long-term current load - up to 100mA! Use separate power source for door electric lock!***

8 PROGRAMMING GSW1

GSW1 device supports different types of programming:

- ⇒ You can program GSW1 remotely by SMS commands.
- ⇒ You can program GSW1 with direct USB connection, with the use of configuration software running on PC (EasySet)
- ⇒ You can program GSW1 with SmartPhone App.
- ⇒ You can program GSW1 with Web Access (soon).

NOTE	To receive configuration software please contact your local distributor.
-------------	--

9 THE GSW1 PARAMETERS

To support versatile functionality of GSW1 different parameters are used. The parameters are divided in logical sections and are described in the following chapters.

9.1 ALARM SUPPORT

Alarm reporting is supported by group of different parameters. First section is used to define the relations needed for alarm to be triggered. The second section is used to report alarm.

9.1.1 ALARM TRIGGERING

Parameters are used to control (filter) the triggering of the alarm inputs.

9.1.1.1 IN parameters

Alarm and reset input can be triggered in 4 different ways. The status of the input can either be normal closed (N.C) or normal open (N.O.) with positive (+ 12V) or negative (GND) voltage.

Activation of the input/alarm is reported by INx values 0 to 2. If the user needs to receive information of the input/alarm restores use INx values 4 to 6. INx value 3 disables the input/alarm reporting.

- ⇒ IN = 0 – Normal Open – triggered with negative voltage (GND)
- ⇒ IN = 1 – Normal Close – breaking negative or positive voltage loop
- ⇒ IN = 2 – Normal Open – triggered with positive voltage (+ 12VCC)
- ⇒ IN = 3 – Not in use
- ⇒ IN = 4 => IN = 0 + input reset SMS
- ⇒ IN = 5 => IN = 1 + input reset SMS
- ⇒ IN = 6 => IN = 2 + input reset SMS

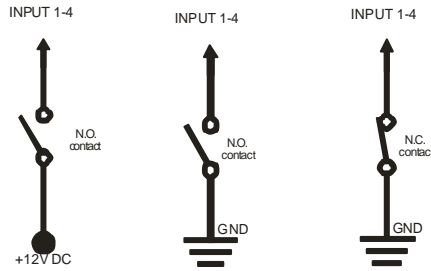


Figure 2: Input Connection diagram

9.1.1.2 ID parameters

ID parameter determines time period of the pulse length to trigger the alarm. The pulse time can be from 0,5 seconds to 9999 seconds. The default time is 0,5 seconds when the parameter value is 0. Parameter is in seconds.

9.1.1.3 DD parameters

This parameter is used to define the delay between the time that alarm input is triggered and the time that alarm is reported. Parameter is in seconds.

9.1.1.4 Table of parameters

Name	Comment
IN1	Mode of operation for input 1
ID1	Input time integration delay on input 1
DD1	Time delay for alarm reporting on input 1

Table 1: IN, ID and DD parameters

Example:

◆ Programming with short text messages - SMS

GSW1 PROGRAMMING TABLE		
Name	Number	Description
IN1	0	Alarm activated by connecting to GND
ID1	10	Input 1 has to be valid for 10 second to trigger the alarm
DD1	15	Reporting of the alarm on input 1 is delayed by 15s

Table 2: IN, ID and DD parameters example

◆ Remote programming by SMS ;IN1=0;ID1=10;DD1=15;

9.1.2 REMOTE REPORTING ALARM EVENTS

Parameters used to define the way to report the alarm event.

NOTE GSW1 device send SMS messages for reporting alarm events.

9.1.2.1 TN parameters

Telephone numbers for remote alarm reporting are listed as TN parameters. Remote alarm reporting on GSW1 is done via SMS messages.

9.1.2.2 LN parameters

This parameter is used to link alarm event from inputs or any other source to the telephone numbers on TN list.

9.1.2.3 Table of parameters

Name	Comment
TN1	1 st telephone number
TN2	2 nd telephone number
TN3	3 rd telephone number
TN4	4 th telephone number
TN5	5 th telephone number
LN1	Input & telephone No. linking for 1 st alarm input (TN1 – TN5)
LN3	Periodic test SMS. No. linking (TN1 – TN5)
LN4	SIM card refill. No. linking (TN1 – TN5)
LN5	NAC list. No. linking (TN1 – TN5) (see note)
LN6	Log status. No. linking (TN1 – TN5)

Table 3: Remote alarm reporting parameters

Example:

◆ Programming with short text messages - SMS

GSW1 PROGRAMMING TABLE		
Name	Number	Description
TN1	042376678	1st telephone number
LN1	13	Input 1 reports alarm to TN1 & TN3
LN5	1	NAC event sent to TN1

Table 4: Remote alarm reporting parameters example

◆ Remote programming by SMS

;TN1=042376678;LN1=13;LN5=1;

NOTE

When telephone number (calling or messaging GSW1) is not authorized, not acknowledge event occurs (NAC). The telephone number responsible for this event can be send to TN user for notification.

9.2 OUTPUT MANAGEMENT

GSW1 supports the possibility to report alarms from inputs and any other events locally via 1 output. The behavior is defined using next parameters

9.2.1 OS parameter

GSW1 device has 1 dedicated relay supported outputs. Outputs can be configured to different behavior:

- ⇒ OSx = 0 – Disabled
- ⇒ OSx = 1 – Bi-stable toggle mode
- ⇒ OSx = yyy – Mono-stable pulse mode (duration in seconds)

Typical connection for the output:

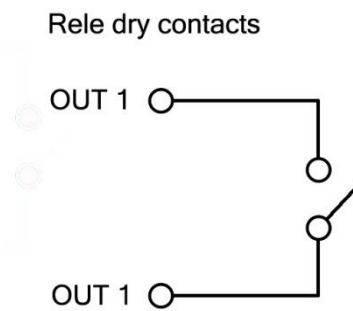


Figure 3: Output Connection diagram

9.2.2 OD parameter

OD parameter is used to link the alarm event directly to output. Direct linking can be done on input alarm events and some other internal events.

9.2.3 OP parameters

Parameters are used to invert the polarity of the outputs.

- ⇒ 0 – normal
- ⇒ 1 – inverted

9.2.4 Table of parameters

Name	Comment
OS1	Mode of operation for output 1
OD1	Input 1 direct link to outputs
OD3	GSM network problem direct link to outputs
OD4	NAC direct link to outputs
OP1	Invert control for output 1

Table 5: Output management parameters

Example:

◆ **Programming with short text messages - SMS**

GSW1 PROGRAMMING TABLE		
Name	Number	Description
OS1	14	Mono-stable pulse mode (14s pulse)
OD1	1	Input 1 activates output 1
OP1	1	Output 1 inverted

Table 6: Output management parameters example

◆ **Remote programming by SMS**

;OS1=14;OD1=1;OP1=1;

9.3 SECURITY LEVEL - SL

SL parameter from 0 to 5 defines which telephone number stored in the phone book from TN1 – TN5 can enter into programming and remote control of the GSW1 (dialing the GSW1 phone number or sending the SMS).

NOTE

When the SL level is 0, an access to the GSW1 is possible from any phone!

IMPORTANT

Before any SL number is programmed the GSW1 can accept ALL CALLS. Remote SMS programming and remote controlling is possible from any phone!

Name / value	Comment
SL = 0	All calls and SMS are accepted
SL = 1	Only number stored under parameter TN1 has access to unit
SL = 2	Numbers stored under parameters TN1 to TN2 have access to unit
SL = 3	Numbers stored under parameters TN1 to TN3 have access to unit
SL = 4	Numbers stored under parameters TN1 to TN4 have access to unit
SL = 5	Numbers stored under parameters TN1 to TN5 have access to unit

Table 7: SL parameter

Example:

◆ **Programming with short text messages - SMS**

GSW1 PROGRAMMING TABLE		
Name	Number	Description
SL	3	No. stored under parameters TN1 to TN3 have access to unit

Table 8: SL parameter example

◆ **Remote programming by SMS**

;SL=3;

9.4 PREPAID CARD CREDIT AND VALIDITY INFORMATION

GSW1 can be used with prepaid SIM cards and its limitations. To be able to overcome this limitation of the prepaid SIM cards, GSW1 offers the possibility of automatic checking mechanism for credit and time expiration.

NOTE

GSW1 automatically sends warning SMS when the credit reaches low level defined by LCV parameter or SIM card validity is near to expiration.

NOTE

For support of different GSM providers contact support.

9.4.1 Programming prepaid card credit and validity string

To be able to support credit and time validity checking different parameters are used.

9.4.1.1 LCV and SCV parameter

LCV is used to set the limit for low credit event. If the credit on prepaid SIM cards falls below this limit SMS is send.

SCV the period of valid operating time varies with different GSM network providers. The value can be programmed from 1 to 360 days. The default value does not presume any kind of expiry warning.

For example in Slovenia SCV are 90 and in Italy 360 days

9.4.1.2 CC1, CC2 and CC3 parameters

Number used to check low credit value. They are provided from the GSM providers.

- ⇒ CC1 - This method can be used by any GSM provider that supports Unstructured Supplementary Service Data
- ⇒ CC2 - This method is dedicated to Italian TIM mobile provider
- ⇒ CC3 - This method is dedicated to Italian Vodafone mobile provider

9.4.1.3 CREF, CTIM, CVODA parameters

Parameters are used to find the credit value of the prepaid SIM card. Strings under these parameters are used to pars the replay message from the GSM provider.

- ⇒ CREF - Pars string for the replays received from CC1 number
- ⇒ CVODA - Pars string for the replays received from CC2 number
- ⇒ CTIM - Pars string for the replays received from CC3 number

9.4.1.4 Table of parameters

Name	Comment
LCV	Low credit value, bottom limit for low credit event.
SCV	SIM card validity time (in days)
CC1	Credit number for credit check universally used
CC2	Credit number for credit check dedicated for Italian TIM mobile provider
CC3	Credit number for credit check dedicated for Italian Vodafone mobile provider
CREP	String for parsing replay message from CC1 number
CVODA	String for parsing replay message from CC2 number
CTIM	String for parsing replay message from CC3 number

Table 9: Prepaid card validity parameters

Example:

◆ Programming with short text messages - SMS

GSW PROGRAMMING TABLE		
Name	Number	Description
CC1	*448#	Si.mobil
CC2	4916	TIM Italy
CC3	404	Vodafone Italy
LCV	4	Low credit message will be send bellow 4

Table 10: Prepaid card validity parameters example

◆ Remote programming by SMS ;CC1=*448#;CC2=4916;CC3=404;LCV=4;

9.5 SET-UP PARAMETERS

Different parameters are used to support versatile functionality of GSW1.

9.5.1 UDC parameter

Parameter is used to synchronise GSW1 clock to GSM network clock. User must enter the number of the GSW1 SIM card (telephone number of GSW1 device).

9.5.2 TST parameter

A test SMS is sent periodically. GSW1 can send the test message in the interval ranging from 1 hour to 8760 hours.

Example:

To send test SMS TST value is set to 12, the numbers linked to “LN5” receive a test message every 12 hours.

9.5.3 MNF parameter

When it is necessary to fix the GSM network to one provider the user can use the MNF parameter. The MNF parameter switches automatic network searching to manual.

Example:

MCC/MNC code for Simobil is 29340, Mobitel is 29341, TIM is 22201, and Vodafone Italy is 22210.

More information about national MCC/MNC codes can be acquired at:

http://en.wikipedia.org/wiki/Mobile_Network_Code

9.5.4 ARST parameter

ARST parameter defines periodic of auto restart time (in hours) of the GSW1 device.

9.5.5 ADF parameter

Parameter is used to define voice refresh function, to prevent blocking of SIM in some GSM networks.

NOTE

If this function is enabled GSW1 device will make voice call to TN1 number.

9.5.6 LNG parameter

LNG parameter switches between the preprogrammed languages:

- ⇒ 0 - English
- ⇒ 1 - Italian
- ⇒ 2 - Slovenian
- ⇒ 3 - Croatian
- ⇒ 4 - Dutch
- ⇒ 5 - German
- ⇒ 6 - Spanish

9.5.7 BUZ parameter

Parameter is used to control buzzer functionality on GSW1. Buzzer is used to audio support some events on GSW1.

9.5.8 Table of parameters

Name	Comment
UDC	Tel. number of GSW1 device
RAN	Auto answer ring number
TST	SMS test time out
MNF	Manual GSM provider selection
ARST	Time out control for automatic system restart
ADF	Auto dial functionality (Call TN1)
LNG	Language selection
BUZ	Buzzer control

Table 11: Set-up parameters

Example:

◆ Programming with short text messages - SMS

GSW1 PROGRAMMING TABLE		
Name	Number	Description
MNF	29340	Manual fixing of the GSM provider (Simobil)
LNG	1	Switch on Italian language
ADF	90	Make voice call every 90 days
TST	24	24 hours periodic test SMS
BUZ	0	Mute buzzer

Table 12: Set-up parameters example

◆ Remote programming by SMS

;MFN=29340;LNG=1;ADF=90;TST=24;BUZ=0;

9.6 SMS MESSAGES EDITOR

You can write and send a short SMS message for each alarm input. The default message is English, but it is possible to change language with LNG parameter. Each message is built from 3 parts and user can write the first (User Location) and the second (alarm event) part of the message. Unit adds the third part (alarm event description) automatically. Language of the 3rd part may be changed by LNG parameter. The message is stored in the SIM phone book so you should add any number for correct operation.

1	2	3	4	5	6	7	8	9	10	11	12	13	14	15	16
#	0	U	S	E	R		L	O	C	A	T	I	O	N	
#	1	I	N	P	U	T		1							

NOTE

Message should not be longer than 14 characters! Space is also counted as one character!

9.6.1 Table of parameters

Name	Comment
#0	User location, same for all alarm messages
#1	Input 1, second part of message

Table 13: Message parameters.

Example:

◆ Programming with short text messages - SMS

GSW1 PROGRAMMING TABLE		
Name	Number	Description
#0House	1	Location definition
#1Kitchen	1	Alarm input is from the kitchen

Table 14: Message parameters example

◆ Remote programming by SMS ;#0HOUSE=1;#1KITCHEN=1;

9.7 CLIP

CLIP is used to provide the “free of charge” options to control the outputs.

9.7.1 CLPEN parameter

Parameter used to enable CLIP functionality.

9.7.2 CLPOU parameter

Parameter used to choose which output will be controlled by the CLIP functionality.

9.7.3 CLPI parameter

This parameter, if set, is a precondition for CLIP function to control the output. The input define by the CLPI parameter must be active for CLIP function to control the output.

9.7.4 CLP1 ... CLP100 parameter

Set of telephone number, which can control the output. The number not on CLP list is not able to control the output using clip functionality.

9.7.5 Table of parameters

Name	Comment
CLPEN	Enable CLIP functionality
CLPOU	Control output pin when CLIP event
CLPI	CLIP input activation condition
CLP1	CLIP number 1
...	...
CLP100	CLIP number 100

Table 15: CLIP parameters

Example:

◆ Programming with short text messages - SMS

GSW1 PROGRAMMING TABLE		
Name	Number	Description
CLPEN	1	Enable CLIP functionality
CLPOU	2	CLIP control output 2
CLPI	0	No input activation condition
CLP1	040414414	CLIP number 1
CLP2	042340880	CLIP number 2

Table 16: CLIP parameters example

◆ Remote programming by SMS

;CLPEN=1;CLPOU=2;CLPI=0;CLP1=040414414;CLP2=042340880;

9.7.6 Table of parameters

Name	Comment
LOGN	Number of log events for printing out
LOGI	Log interface
ALC	Automatic log clear

Table 17: LOG parameters

Example:

◆ Programming with short text messages - SMS

GSW1 PROGRAMMING TABLE		
Name	Number	Description
LOGN	5	5 log events will be printed out on PLOG command
LOGI	0	Nonvolatile memory on GSW1
ALC	1	Log is auto cleared when full

Table 18: LOG parameters example

◆ Remote programming by SMS

;LOGN=5;LOGI=0;ALC=1;

9.8 SPECIAL SMS COMMANDS

These commands can only be issued only over SMS message, and are used to control some special functions of GSW1 device.

9.8.1 ORC command

Command is used to control outputs directly via SMS message

9.8.2 SDCLR command

To clear all data on SIM card SDCLR command is used.

9.8.3 LCRL command

Command clears log on GSW1 device.

9.8.4 CLPCLR command

Command is used to delete all CLP numbers.

9.8.5 MRES command

Command is used to manually restart GSM module on GSW1 device.

9.8.6 SSRES command

Command is used to manually restart GSW1 device.

9.8.7 Table of parameters

Name	Comment
ORC1	Control of output 1
SDCLR	Delete all SIM content
LCRL	Delete log on GSW1 device
MRES	Manual reset of GSM module
SSRES	Manual reset of GSW1 device

Table 19: SMS commands.

Example: **Remote programming by SMS**

SMS command	Description
;ORC1=1; or ;ORC1=ON;	Activate output 1
;ORC1=0; or ;ORC1=OFF;	Deactivate output 1
;SDCLR;	Clear all data on SIM
;LCLR;	Delete log on GSW1 device
;MRES;	Manual reset of GSM module
;SSRES;	Manual reset of GSW1 device

Table 20: SMS commands example.

10 PRINT-OUT OF THE PARAMETERS

The user can check the settings of ALL parameters on the GSW1.

10.1 RECEIVE ALL PARAMETERS (PALL)

By sending this command to GSW1 you receive SMS messages with all parameters that are currently programmed in the unit:

;PALL;

10.2 CHECK SW REVISION (PSW)

By sending this command to GSW1 you receive SMS messages with current SW version running on GSW1 device:

;PSW;

10.3 CHECK SIGNAL QUALITY (PSQ)

By sending this command to GSW1 you receive SMS messages with signal quality GSW1 device is connected to network:

;PSQ;

10.4 RECEIVE TELEPHONE NUMBERS (PTN)

By sending this command to GSW1 you receive SMS message with all currently programmed telephone numbers:

;PTN;

10.5 RECEIVE LINKS (PLN)

By sending this command to GSW1 you receive SMS message with all currently programmed links:

;PLN;

10.6 RECEIVE INPUT PARAMETERS (PIN)

By sending this command to GSW1 you receive SMS message with all currently programmed Input parameters:

;PIN;

10.7 RECEIVE INPUT FILTER VALUE (PID)

By sending this command to GSW1 you receive SMS message with all currently programmed Input filters:

;PID;

10.8 RECEIVE OUTPUT FILTER VALUE (POD)

By sending this command to GSW1 you receive SMS message with all currently programmed direct output links:

;POD;

10.9 RECEIVE DELAY BEFORE DIAL VALUE (PDD)

By sending this command to GSW1 you receive SMS message with all currently programmed Input filters:

;PDD;

10.10 RECEIVE ACCESS TELEPHONE NUMBERS (PSL)

By sending this command to GSW1 you receive SMS message with programmed SL level:

;PSL;

10.11 RECEIVE OUTPUT PARAMETERS (POS)

By sending this command to GSW1 you receive SMS message with all currently programmed Outputs parameters:

;POS;

10.12 RECEIVE ALL PROGRAMMED SMS MESSAGES (P#)

By sending this command to GSW1 you receive SMS message with all currently programmed alarm SMS messages:

;P#;

10.13 RECEIVE SET UP PARAMETERS VALUE (PPA)

By sending this command to GSW1 you receive SMS message with all currently programmed Setup parameters:

;PPA;

10.14 RECEIVE CREDIT PARS PARAMETERS (PCREF)

By sending this command to GSW1 you receive SMS message with all currently programmed credit parse parameters:

;PCREF;

10.15 RECEIVE CREDIT CHECK TELEPHONE NUMBERS (PCN)

By sending this command to GSW1 you receive SMS message with programmed numbers for credit checking:

;PCN;

10.16 RECEIVE ALL CLIP PARAMETERS (PCLP)

By sending this command to GSW1 you receive SMS message with all currently programmed CLIP functionality related parameters:

;PCLP;

NOTE

User can use ;PCLP=x,y; to limit the number of CLIP numbers to be printed.

x = start number

y = end number

Example

;PCLP=1,30; Prints first 30 CLIP numbers

10.17 STATE OF THE CREDIT FOR THE PREPAID CARD

By sending this command to GSW1 you receive SMS message with Credit amount on your prepaid SIM card:

;PCCX;

Where X is the number of programmed prepaid card provider.

10.18 STATE OF THE OUTPUTS (PORC)

By sending this command to GSW1 you receive SMS message with current outputs state.

;PORC;

10.19 MANUAL GSM MODULE RESTART (MRES)

By sending this command to GSW1 shuts down GSM module and after a few second it switches the power of the GSM module ON again. The unit reboots all parameters from the SIM card.

;MRES;

10.20 RECEIVE STATUS OF INPUTS (INS)

By sending this command to GSW1 you receive SMS message with current input state.

;INS;

10.21 RECEIVE GSW1 LOG

By sending this command to GSW1 you receive SMS message with log on GSW1 device.

;PLOG;

11 CHANGING PARAMETERS USING THE SMS COMMAND

All programming parameters for GSW1 can also be sent by SMS command. Each SMS command should start and stop with semicolon. If the confirmation SMS is needed, put “+” at the beginning of the command SMS.

The first SMS is SMS with telephone numbers (TN1 – TN5). If you would like to check which telephone numbers are programmed in GSW1 please use the following command:

;PTN;

Return SMS is (example):

;TN1=0;TN2=0;

If you would like to enter telephone numbers in to GSW1 you can use the following example:

;TN1=040713470;TN2=+38643364850;

If you would like to receive confirmation SMS write “+” before SMS command:

++;TN1=040713470;TN2=+38643364850;

Return SMS from GSW1 is:

;TN1=040713470;TN2=+38643364850;

NOTE

You can use the same programming procedure for all parameters.

It is also possible to change different parameters with one SMS. Consider that the SMS message should not be longer than **160 characters** (included space characters).

If you would like to change the following parameters **TN1, IN1, OS1, ID1, LN1** and would like to receive confirmation SMS, try next example:

++;TN1=+38640713470;IN1=1;OS1=15;ID1=120;LN1=1;

Send SMS message to GSW1 telephone number and in a few seconds you receive SMS message from GSW1. The sentence of the SMS must be the same as the one you have sent to GSW1 before.

12 DEFAULT SETTINGS ON GSW1

GSW1 PROGRAMMING TABLE		
Name	Default Value	Short Description
TN1	Empty	Telephone number 1
TN2	Empty	Telephone number 2
TN3	Empty	Telephone number 3
TN4	Empty	Telephone number 4
TN5	Empty	Telephone number 5
IN1	0	Input 1 control
OS1	5	Output 1 mode
OD1	0	Input 1 direct output link
OD3	0	GSM network failure direct output link
OD4	0	NAC direct output link
LN1	Empty	Input 1, link to tel. numbers
LN3	Empty	Periodic SMS, link to tel. numbers
LN4	Empty	SIM card validity and credits status, link to tel. numbers
LN5	Empty	NAC, link to tel. numbers
LN6	Empty	LOG status, link to tel. numbers
ID1	0	Input 1 delay filter on input
DD1	0	Input 1 delay before dialing
RAN	0	Auto answer ring number
SL	0	Security level
#0	“User Location”	SMS main head text
#1	“Input1”	SMS input 1 text
CC1	Empty	Check credit Num 1
CC2	Empty	Check credit, TIM Italy
CC3	Empty	Check credit, Vodafone Italy
UDC	Empty	Tel. number of GSW1 device
SCV	0	SIM card time validity
TST	24	Periodic test SMS timeout
MNF	0	Network connection type
LCV	4	Low credit value
LNG	0	Language selection
LOT	60	Connection time out value
LOGN	5	Number of log events for printing out
LOGI	0	Log interface
ALC	1	Automatic log clear
ADF	90	Auto dial
ARST	0	Automatic reset timeout
OP1	0	Output 1 invert
BUZ	1	Buzzer function
SPO	1	SIM card starting position
CREF	“EUR”	Parse text(contact support)
CTIM	“EURO”	Parse text(contact support)
CVODA	“DISPON. E.”	Parse text(contact support)

GSW1 PROGRAMMING TABLE		
Name	Default Value	Short Description
CLPEN	1	Enable CLIP functionality
CLPOU	1	Control output pin when CLIP event
CLPI	0	Clip input condition
CLPRI	0	Clip restore function
CLPRT	25	Clip restore function time out
CLP1	Empty	CLIP number 1
.	.	
.	.	
.	.	
CLP100	Empty	CLIP number 100

Table 21 GSW1 default settings

13 PARAMETERS PRINT-OUT COMMANDS

GSW1 PRINT TABLE	
Name	Short Description
PALL	Prints all parameters available on GSW1.
PSW	Prints SW version of GSW1.
PSQ	Prints GSM network signal quality of GSW1.
PTN	Prints TNx numbers
PLN	Prints LNx links.
PIN	Prints INx parameters.
PID	Prints IDx parameters.
POD	Prints ODx parameters.
PDD	Prints DDx parameters
PSL	Prints SL parameter.
POS	Prints OSx parameters.
P#	Prints #x parameters.
PPA	Prints various setup parameters.
PCLP	Prints CLIP parameters.
PLOG	Prints log of the GSW1.
PCREF	Prints credit pars parameters.
PCN	Prints credit request numbers.
PCC1	Prints credit for GSW1 (universal request).
PCC2	Prints credit for GSW1. (TIM Italy).
PCC3	Prints credit for GSW1. (VODAFONE Italy).
INS	Prints status of the inputs.
PORC	Prints (controls) the status of outputs.
PDEA	Prints intercom button 1 parameters.

Table 22 GSW1 parameters print out commands

14 TECHNICAL SPECIFICATIONS

Description	Value
Power Supply	12,0 – 20,0V AC or 12,0 - 24,0V DC
Current consumption - peak	2A
Current consumption - transmitting mode	250mA
Current consumption - idle mode	40mA
Quad band GSM module	850/900/1800/1900 MHz
PCB dimensions	82 × 75 mm
Unit dimensions	145 x 90 x 58 mm
Built-in Antenna SMA	1
Weight (in IP56 Box)	180 gr.
Alarm inputs	1
Alarm relay outputs	1
12V DC Power Supply output – 12VAux	Yes (*100 mA)
12-20VAC or 12-24VDC Power Supply input	Yes

15 CONTACTS

MARS COMMERCE d.o.o.

MIRKA VADNOVA 19
4000 KRANJ
SLOVENIA

TEL: 00 386 4 280 74 00
E-MAIL: info@mars-commerce.si
WEB SITE: www.mars-commerce.com

SALES

E-MAIL: sales@mars-commerce.com